

New Product Design

Wilger Latching Solenoid
ON/OFF

Rev Date: June 12, 2023
Bulletin#: 2306-01



Better Engineered Sprayer Components for Over 40 Years

Latching Solenoid Function & Scope

- Acts as a primary solenoid on sprayer boom or planter (or secondary 'booster' or 'bypass' if primary is PWM solenoid), attaching to any Wilger nozzle body.
- Patent-pending solenoid uses power momentarily only during opening/closing (~0.9 amp/ea), and is held in 'open position' with a latching mechanism.
- Intended for use as a low electrical-draw solenoid that maintains individual outlet shut-off.



Latching Solenoid without body nut

Technical Specifications

Function: Latching Solenoid.
Power required for open/close only.

Weight: 145g

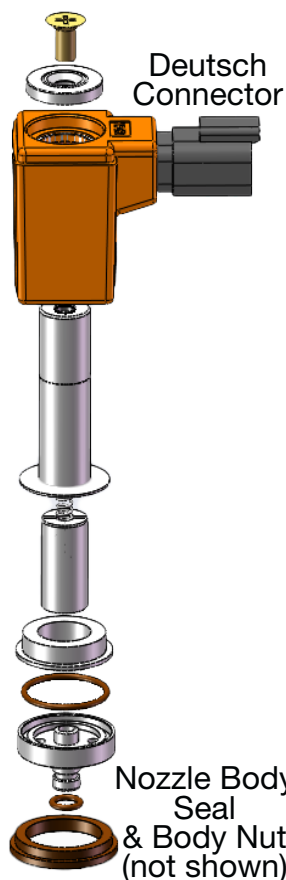
Voltage: 12V DC

Draw: ~0.9amp during open/close
(alternate power for open/flow)

Operating Pressure Range: 0-100PSI

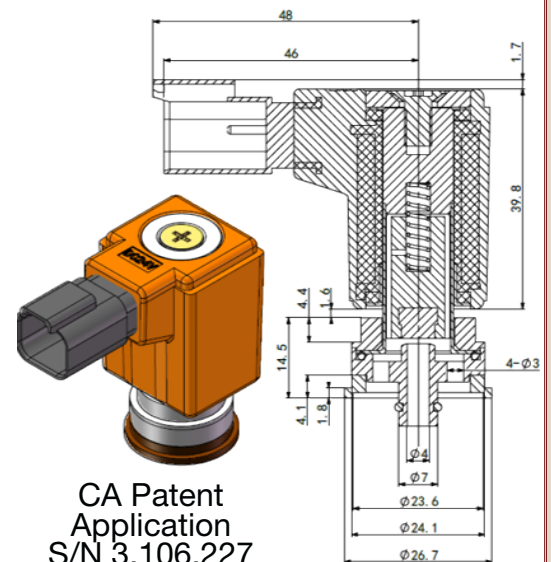
Flow Rate	Pressure Drop
0.4 us gpm	1.0 PSI
0.6 us gpm	2.5 PSI
0.8 us gpm	3.5 PSI
1.0 us gpm	5.0 PSI
1.5 us gpm	11 PSI

Solenoid Assembly



Nozzle Body Seal & Body Nut (not shown)

Latching Solenoid Dimensions (mm)

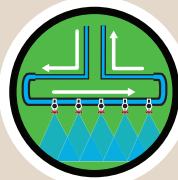
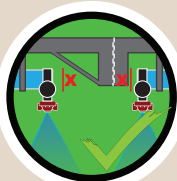


Example on nozzle body



No power use during operation

Compact



Recirc Ready

CANADA

Wilger Industries Ltd.
Group Box 280 RR#4
71st. St. & Highway 16W
Saskatoon, SK, Canada S7K 3J7
Phone: (306)242-4121 Fax: (306)242-4122
E-Mail: info@wilger.net

UNITED STATES

Wilger Inc.
255 Seahorse Drive
Lexington, TN, USA 38351-6538
Phone: (877)968-7695 / (731)968-7695
Fax: (877)968-7613 / (731)968-7613
E-Mail: wilgeresc@bellsouth.net

ARGENTINA

Wilger Argentina
Mitre 540, San Nicolas (2900)
Buenos Aires, Argentina
Phone: (336) 145388009
Fax: (336) 4447880
Email: info@wilger.com.ar

Printed in Canada