



New Product

Dual Spray 4+1 Nozzle Body
DS41
Left & Right Nozzle Body

Bulletin Date: March 1, 2024
Bulletin Reference: 240301-01

WILGER

Better Engineered Sprayer Components for Over 45 Years

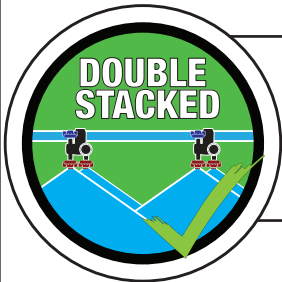
WILGER Dual-Spray 4+1 ('DS41') Nozzle Body Super Compact & Robust Nozzle Body with Dual Solenoid Support

The DS41 nozzle body integrates a single by-pass nozzle body (optional for dual PWM/Spot-spray), as well as a robust 4-nozzle turret.

Part# 41900-00
DS41L

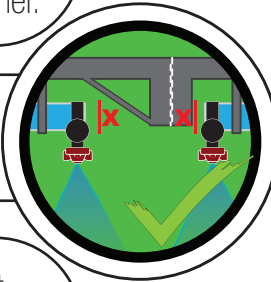


MSO check valve on both turret & bypass outlet



Ability to spray with one or both nozzles independent of each other.

Ultra compact & Narrow nozzle body

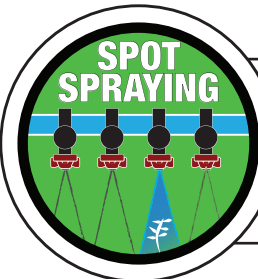


Chemical Resistant Polypropylene design resists acid and harsh chemicals



Spring-Lock Turret
Positive Turret Positioning

Robust design with easy maintenance



Designed for dual solenoid use for spot spraying

Part#s and current configurations (as of Mar 22, 2024)

Boom Size	Nozzle Outlets ¹	Inlet Size	Turret Module Position	Nozzle Bodies with 5/16" Bolt Mount Upper Clamp Module Configuration & Assembly Part#		
				-00	-MS1	-NM
				MSO on BOTH Bypass & Turret	MSO on Bypass No Module on Turret	No modules on Bypass & Turret
1" (1.315" OD)	4 CJ (Turret) 1 CJ (Bypass)	3/8" Inlet	LEFT	41902-00	41902-MS1	41902-NM
			RIGHT	41903-00	41903-MS1	41903-NM
1" High Flow (1.315" OD)	4 CJ (Turret) 1 CJ (Bypass)	High Flow 21/32" Inlet	LEFT	41900-00	41900-MS1	41900-NM
			RIGHT	41901-00	41901-MS1	41901-NM

¹ Nozzle Outlet options will also include a 4 Square Lug Outlet turret as an alternate configuration. Contact Wilger for information on part numbers.

Not sure whether you have a LEFT or RIGHT BODY?

Consult the pictures or the type imprinted on the back of the nozzle body. DS41L (left) or DS41R (right)



New Product

Dual Spray 4+1 Nozzle Body
DS41
Left & Right Nozzle Body

Bulletin Date: March 1, 2024
Bulletin Reference: 240301-01

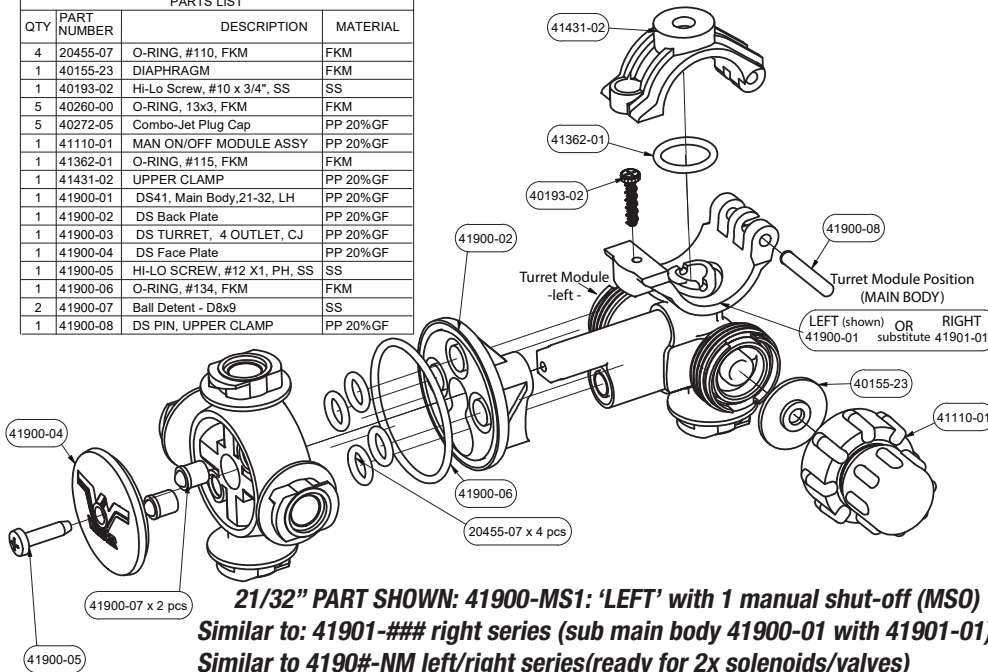
WILGER

Better Engineered Sprayer Components for Over 45 Years

WILGER Dual-Spray 4+1 ('DS41') Nozzle Body

Product Drawing: High Flow #41900-MS1

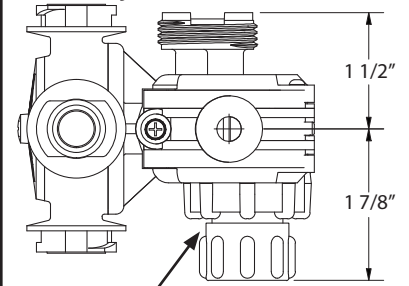
PARTS LIST			
QTY	PART NUMBER	DESCRIPTION	MATERIAL
4	20455-07	O-RING, #110, FKM	FKM
1	40155-23	DIAPHRAGM	FKM
1	40193-02	Hi-Lo Screw, #10 x 3/4", SS	SS
5	40260-00	O-RING, 13x3, FKM	FKM
5	40272-05	Combo-Jet Plug Cap	PP 20%GF
1	41110-01	MAN ON/OFF MODULE ASSY	PP 20%GF
1	41362-01	O-RING, #115, FKM	FKM
1	41431-02	UPPER CLAMP	PP 20%GF
1	41900-01	DS41, Main Body, 21-32, LH	PP 20%GF
1	41900-02	DS Back Plate	PP 20%GF
1	41900-03	DS TURRET, 4 OUTLET, C.J	PP 20%GF
1	41900-04	DS Face Plate	PP 20%GF
1	41900-05	HI-LO SCREW, #12 X1, PH, SS	SS
1	41900-06	O-RING, #134, FKM	FKM
2	41900-07	Ball Detent - D8x9	SS
1	41900-08	DS PIN, UPPER CLAMP	PP 20%GF



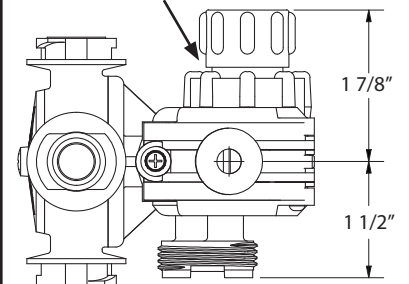
2 1/32" PART SHOWN: 41900-MS1: 'LEFT' with 1 manual shut-off (MSO)
 Similar to: 41901-### right series (sub main body 41900-01 with 41901-01)
 Similar to 4190#-NM left/right series (ready for 2x solenoids/valves)
 Similar to 4190#-00 left/right (with two MSO knobs)

TOP VIEW

41900-MS1: 'LEFT' with MSO
 Ready to add PWM solenoid



Manual Shut-off module controls the single 'back' outlet



41901-MS1: 'RIGHT' with MSO
 Ready to add PWM solenoid

Compatible Check Valve or Control Module Options

Wilger has a variety of check valves or control modules that are compatible with this product.

Consult the module options for the desired function.

Manual ON/OFF Check Valve (MSO)

When 'ON', acts as a check valve.
 When 'OFF', shuts off flow.



Available in 4PSI, 10PSI, or 15PSI check valve strength

Diaphragm Check Valve

Standard check valve opens at a certain pressure. (10 PSI standard)



Available in 4PSI, 10PSI, or 15PSI check valve strength

Air-OFF Module

When sufficient air pressure is sent to check valve (+20PSI over liquid), module flow is closed.



Available in 4PSI, 10PSI, or 15PSI check valve strength

Alternate Valve or PWM Solenoid

No module is typically used when a PWM solenoid or electronic shut-off is used.*



A functional valve is required for operation

CANADA
 Wilger Industries Ltd.
 Site 412, Box 280, RR#4
 Capital Circle W & Auction Mart Rd.
 Saskatoon, SK, Canada S7K 3J7
 Phone: 1 (833) 242-4121
 Fax: (306) 242-4122
 Email: info@wilger.net



UNITED STATES
 Wilger Inc.
 255 Seahorse Drive
 Lexington, TN, USA
 38351-6538
 Phone: (877) 968-7695
 Fax: (877) 968-7613
 Email: WilgerEsc@WilgerEsc.com



ARGENTINA
 Wilger Argentina
 Mitre 699
 San Nicolas (2900)
 Buenos Aires, Argentina
 Phone: +54 9 336 4596710
 Email: cjpurras@gmail.com

**Focused on Application
 Performance for
 Over 45 Years**

www.wilger.net

All Wilger trademarks and logos are owned by Wilger Industries Ltd. All other brand or product names are trademarks or registered marks of their respective owners. All rights reserved.