



WILGER

Better Engineered Sprayer Components for Over 45 Years

New Product

COMBO-RATE Swivel Body

Bulletin Date: March 1, 2022
Bulletin Reference: 220301-01

COMBO-RATE® Fence Row & Swivel Body
Stackable end body, adjustable in 15° increments

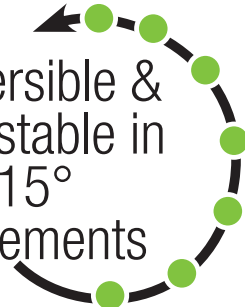
End bodies that can be adjusted (via interior screw) in 15° increments for fence-row & crop adapted spraying applications.



[side view]

41137-00

Reversible &
Adjustable in
15°
Increments



[back view]

**Adjustable For Fence row spraying or
crop-adapted angled spraying**

Swivel End Body without nut for
PWM or shut-off solenoid
(or equivalent)

COMBO-RATE Swivel End Bodies [Connects to any Combo-Rate female ports]			
Dia.Check Valve	Manual ON/OFF	Air-Off Operated	PWM (w/o nut)**
41102-00	41112-00	41127-00	41137-00

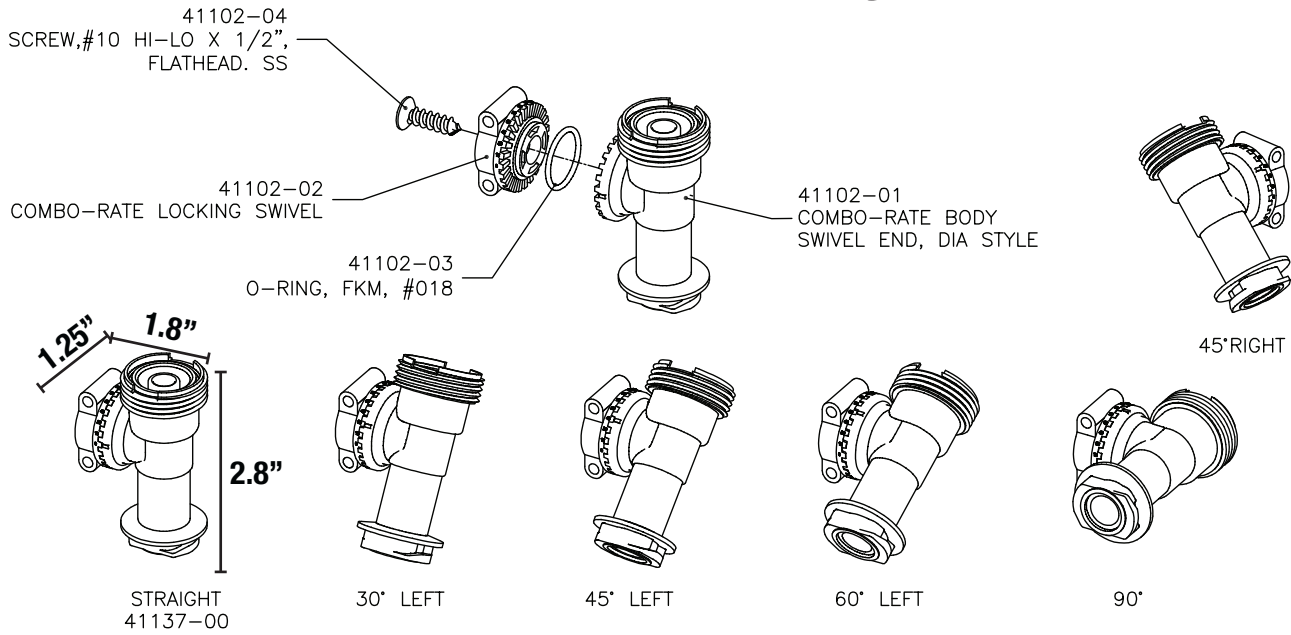
Common usage:
Using control module/solenoid to
actuate fence-row nozzle application.
Attaches to any COMBO-RATE u-clip port



[Example view with
third-party control
solenoid* mounted on
41137-00]

*Solenoids must be compatible with Wilger module thread
and nozzle body dimension.

COMBO-RATE® Fence Row & Swivel Body Product Drawing



TO ADJUST ANGLE, LOOSEN SCREW AND ROTATE BODY AND THEN RE-TIGHTEN SCREW. THE ANGLE CAN BE ADJUSTED IN INCREMENTS OF 15° IN EITHER DIRECTION.

PART NO.	41137-00	R2
ITEM DESC.	COMBO-RATE SWIVEL END BODY, NO NUT	
		www.wilger.net

Product Weight: 28g (0.028kg)

Compatible Check Valve or Control Module Options

Wilger has a variety of check valves or control modules that are compatible with this product.

Consult the module options for the desired function.

Manual ON/OFF Check Valve

When 'ON', acts as a check valve.
When 'OFF', shuts off flow.



Available in 4PSI, 10PSI, or 15PSI check valve strength

Diaphragm Check Valve

Standard check valve opens at a certain pressure. (10 PSI standard)



Available in 4PSI, 10PSI, or 15PSI check valve strength

Air-OFF Module

When sufficient air pressure is sent to check valve, check valve is forced closed.



Available in 4PSI, 10PSI, or 15PSI check valve strength

No Module

No module is typically used when a PWM solenoid or electronic shut-off is used.*



A module is required for proper operation.

CANADA
Wilger Industries Ltd.
Site 412, Box 280, RR#4
Capital Circle W & Auction Mart Rd.
Saskatoon, SK, Canada S7K 3J7
Phone: 1 (833) 242-4121
Fax: (306) 242-4122
Email: info@wilger.net

@WilgerParts

UNITED STATES
Wilger Inc.
255 Seahorse Drive
Lexington, TN, USA
38351-6538
Phone: (877) 968-7695
Fax: (877) 968-7613
Email: WilgerEsc@WilgerEsc.com

@WilgerInc

ARGENTINA
Wilger Argentina
Mitre 699
San Nicolas (2900)
Buenos Aires, Argentina
Phone: +54 9 336 4596710
Email: cjporras@gmail.com

**Focused on Application
Performance for
Over 45 Years**

www.wilger.net

All Wilger trademarks and logos are owned by Wilger Industries Ltd. All other brand or product names are trademarks or registered marks of their respective owners. All rights reserved.

Printed in Canada